

## Cabinet U-Handles

with Electrical Switching Function, with Cable / Plug

### SPECIFICATION

#### Types

- Type **T1**: With 1 button
- Type **T2**: With 2 buttons

#### Connection types

- Connection type **K**: Cable
- Connection type **S**: Plug (with 0,25 m cable)

Zinc die casting **ZD**

Powder coated

Black, RAL 9005, textured finish **SW**

Silver, RAL 9006, textured finish **SR**

Button

Stainless Steel AISI 304

Cable (Outer sheath)

Polyurethan PUR

Black

Light guide

Plastic

Crystal-clear Polycarbonate (PC)



### INFORMATION

GN 422 cabinet "U" handles come with one or two push buttons. Each button has a changeover switch and integrated LED ring lighting.

When the button is pressed, an electrical control impulse to switch off a machine, for example, can be triggered based on the wiring of the contacts (NC or NO).

Independent whether or not the button is actuated, the integrated LED ring lighting shines either red or green depending on the polarity of connections 1 and 2 of the LED.

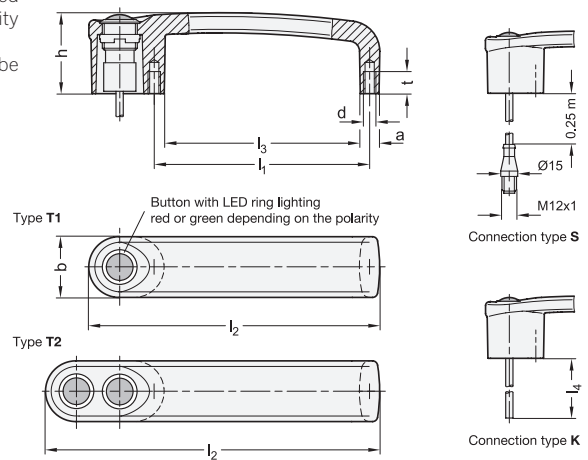
The cabinet „U“ handle is functional and highly compact and can be used for any application due to its universal design.

### TECHNICAL INFORMATION

- IP Protection classes (see page A23)
- Plastic characteristics (see page A2)

### ACCESSORY

- Cables with connector coupling M12x1 GN 330 (see page 1448)



\* Complete with color index (SW, SR)

**SW** Black textured finish  
**SR** Silver

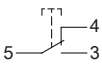
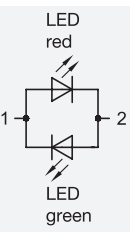
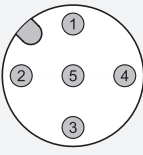

### GN 422

Description	l <sub>1</sub> ±0.2	l <sub>2</sub>	l <sub>3</sub>	a	l <sub>2</sub>	l <sub>3</sub>	t	Cable length l <sub>4</sub> in meter	⚖
GN 422-ZD-T1-K-2-*	117	158	105.5	10.2	158	105.5	12	2	600
GN 422-ZD-T2-K-2-*	117	158	105.5	10.2	158	105.5	12	2	780
GN 422-ZD-T1-K-5-*	117	181.5	105.5	10.2	181.5	105.5	12	5	740
GN 422-ZD-T2-K-5-*	117	181.5	105.5	10.2	181.5	105.5	12	5	1070

### GN-422

Description	l <sub>1</sub> ±0.2	l <sub>2</sub>	l <sub>3</sub>	a	l <sub>2</sub>	l <sub>3</sub>	t	⚖
GN 422-ZD-T1-S-*	117	158	105.5	10.2	158	105.5	12	516
GN 422-ZD-T2-S-*	117	158	105.5	10.2	158	105.5	12	630

Weight Version SW

Electrical and mechanical properties	
<b>Button</b>	
Contacts	Changeover contact, snap contact
Contact material	Silver alloy
Switching voltages	max. 125 V (plug) max. 240 V (cable)
Switching current	max. 3 A
mech. lifespan	10 <sup>6</sup> switching cycles
elect. lifespan	50,000 switching cycles (under full load)
	
<b>LED ring lighting</b>	
Operating voltage / Operating current bi-color (red / green)	24 V DC ± 10 % / 7 mA
	
<b>Category of use (button)</b>	
	AC 15: 24 V AC / 1 A / DC 13: 24 V DC / 0.7 A AC 15: 110 V AC / 1 A / DC 13: 110 V DC / 0.2 A AC 15: 220 V AC / 0.5 A / DC 13: 220 V DC / 0.1 A
	according to IEC 60947-5-1
	AC: 120 V AC / 5 A / DC: 12 V DC / 1 A AC: 240 V AC / 3 A
	according to UL 508
<b>Connection type</b>	
Cable (K) or Plug connector (S)	PUR cable with open stranded wires (2 m or 5 m) 5-pin connector M12x1 with PUR cable 0.25 m
Protection class	IP 67
<b>Pin configuration and cable assignment</b> 	
	1 - green 2 - white 3 - yellow 4 - gray 5 - brown
<b>Approvals, conformities</b>	
CE declaration	

**Installation holes**

The holes must be free of burrs to prevent damage to the cable.

